



Universiti  
Malaysia  
**PAHANG**  
Engineering • Technology • Creativity



**DURATION (6 DAYs/48 HOURs)**

**FROM 8 A.M. TO 5 P.M.**

**UNIVERSITI MALAYSIA PAHANG, PEKAN**

# WELDING SKILL TRAINING [3G WELDING]

## Course Overview

A Welding Skills Training are primarily targeted to those individuals that are looking to brush up on their knowledge or get an advance skill in welding. This course will help them take their next successful career, and ensuring a skilled workforce is available in the industries. In this course, participant are given hands on and practical skill in Gas Metal Arc Welding (GMAW), Shielded Metal Arc Welding (SMAW) and Gas Tungsten Arc Welding (GTAW) process in 3G position complete with practical assessment. Skill Certification will be provided after course completion.

## Provided

- Includes notes, skill certificates and training material.
- Meal (Breakfast and Lunch)

## Modules / Content

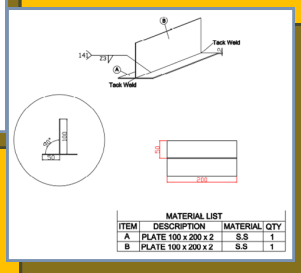
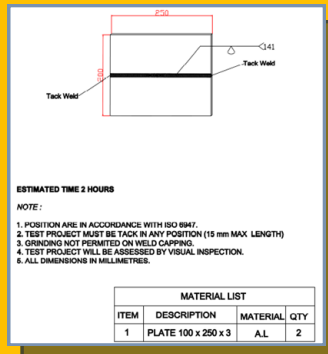
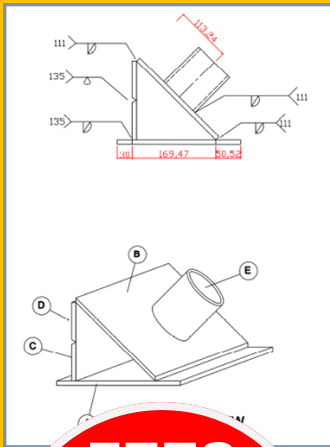
- Weld Mild steel plate of thickness 9mm in 3G position
- Weld Stainless steel plate of thickness 2mm in 3G position
- Weld Aluminum plate pf thickness 3mm in 3G position

## Process includes

- SMAW
- GMAW
- GTAW

## Material

- Mild Steel Plate
- Stainless Steel Plate
- Aluminum Plate



**FEES  
RM  
1200**

AUTOMOTIVE ENGINEERING CENTRE

UNIVERSITI MALAYSIA PAHANG . PEKAN . PAHANG DARUL MAKMUR

[aec.ump.edu.my](http://aec.ump.edu.my)

[aec@ump.edu.my](mailto:aec@ump.edu.my)

[/pusatkejuruteraan.automotif](https://www.facebook.com/pusatkejuruteraan.automotif)



**Call NOW for more information +609 424 6344 (Mrs. Rosidah)**